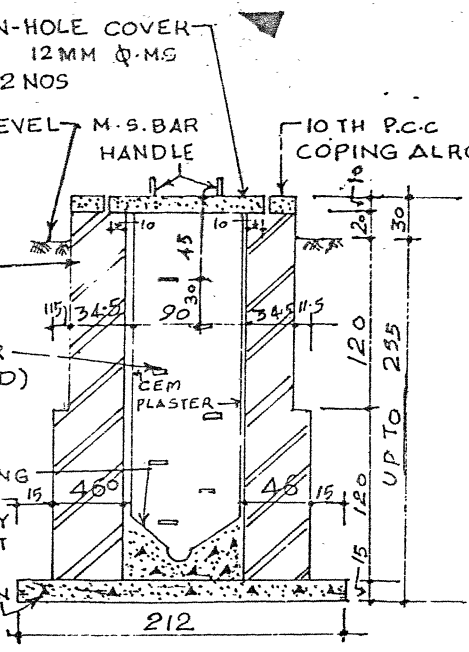
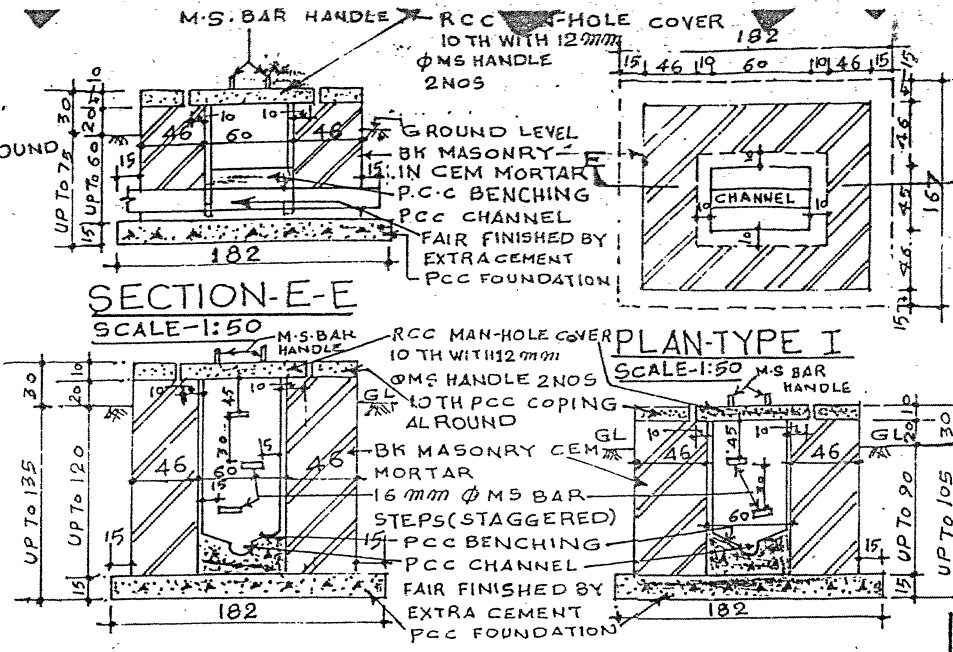


SECTION AT-A-A
SCALE-1:50

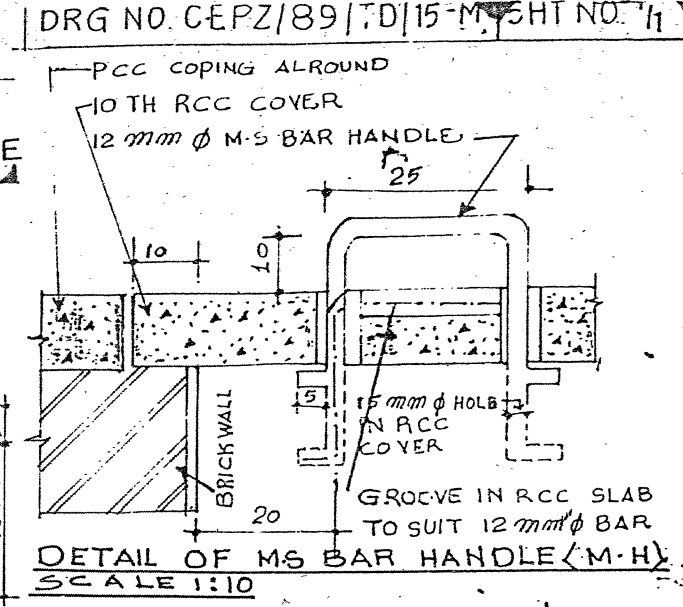


SECTION AT-B-B
SCALE-1:50

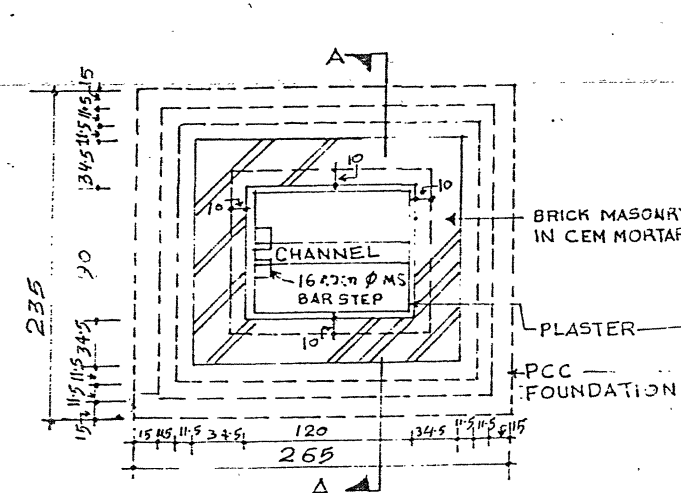


SECTION AT-C-C
SCALE-1:50

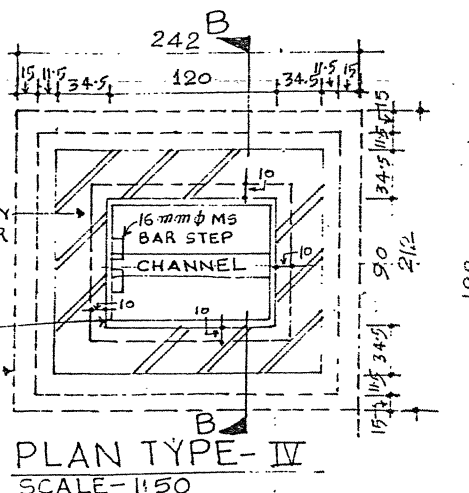
SECTION AT-D-D
SCALE-1:50



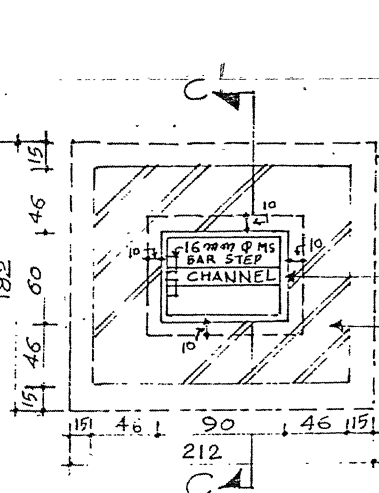
DETAIL OF MS BAR HANDLE (M-H)
SCALE 1:10



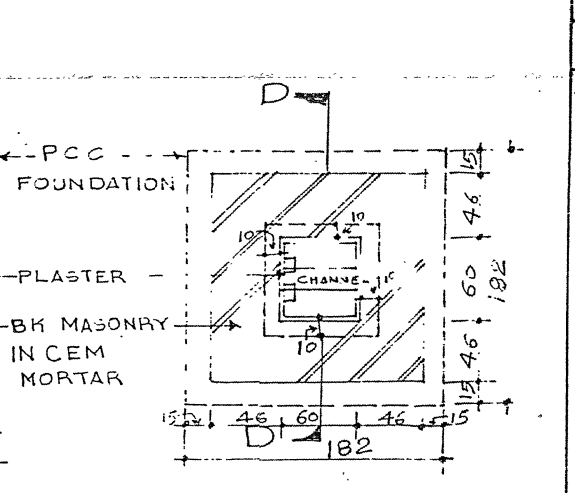
PLAN-TYPE-V
SCALE-1:50



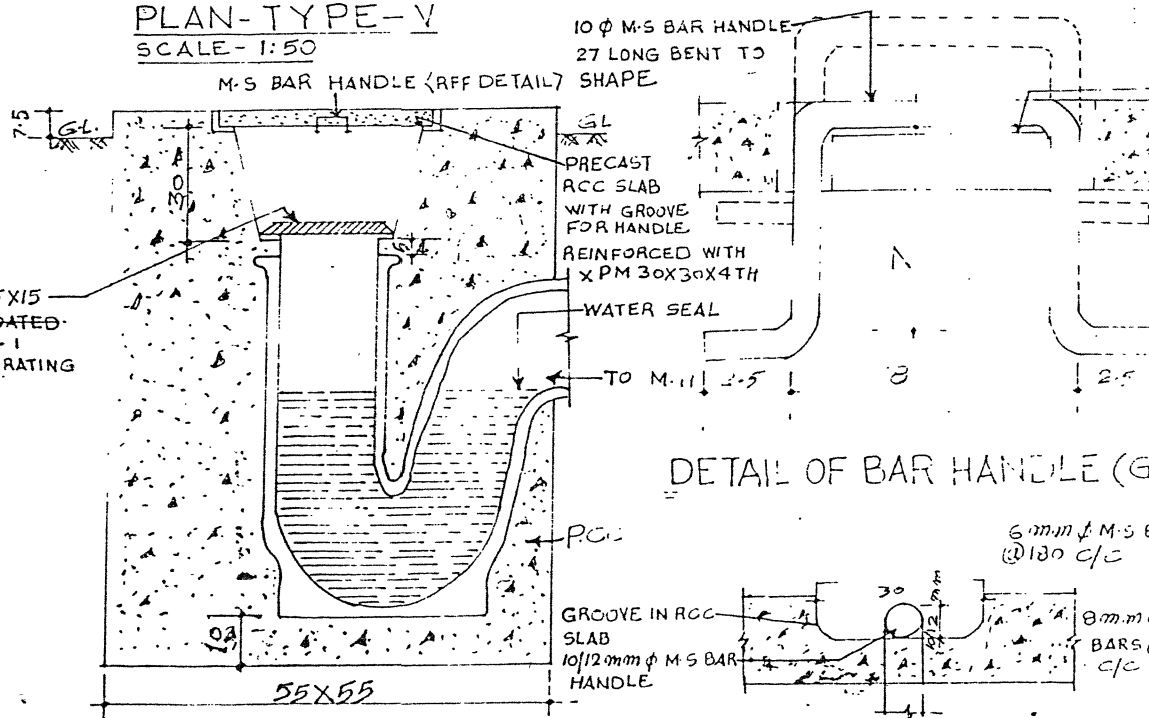
PLAN-TYPE-IV
SCALE-1:50



PLAN-TYPE-III
SCALE-1:50



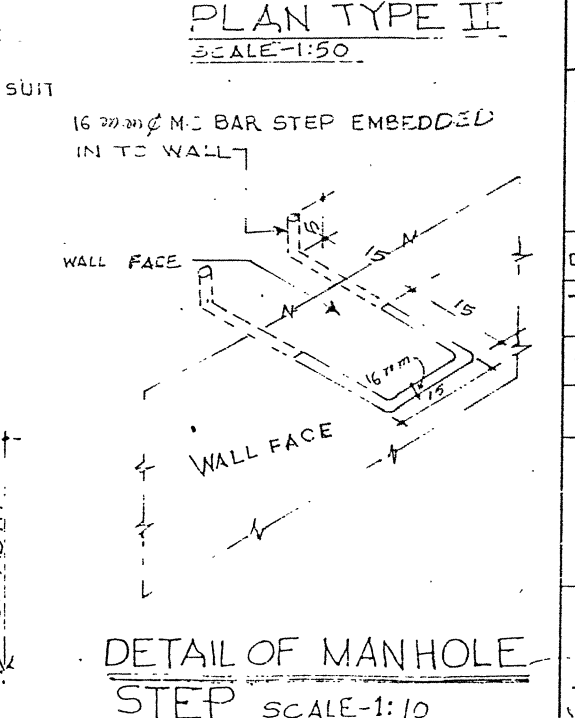
PLAN-TYPE-II
SCALE-1:50



SECTION THROUGH (G.T)
NOT TO SCALE

DETAILS OF GROOVE (G.T.MH)

PART PLAN OF RCC COVER



DETAIL OF MANHOLE STEP
SCALE-1:10

1	16-3-92	NOTE NO-6 ADDED	
Sl. No	DATE	DESCRIPTION	INITIAL
REVISION			
NOTES			

- CONTRACTOR TO CHECK & VERIFY ALL DIMENSIONS BEFORE EXECUTION OF THE WORK
- FIGURED DIMENSIONS SHALL BE FOLLOWED
- ALL DIMENSIONS ARE GIVEN IN CENTIMETRES UNLESS OTHERWISE STATED.
- THE DIAMETER OF THE PCC CHANNEL & SLOPE OF THE BENCHING SHALL BE DECIDED BY THE ENGINEER IN CHARGE AT SITE.
- M-S BAR STEP (FIRST ONE) SHALL BE SET AT 45 CM FROM TOP LEVEL AND OTHERS SHALL BE FIXED AT 30 CM C/C MAX (STAGGERED)
- IN CASE OF BLOCK COTTON SOIL BELOW THE MANHOLES THE SOIL TO A DEPTH OF 300MM TO BE REMOVED AND FILLED WITH APPROVED MURRUM DULY CONSOLIDATED.

TYPICAL DETAILS OF MANHOLES AND GULLY TRAP

DRN-HAV PRITAM	CHIEF ENGINEER PUNE ZONE. PUNE	DATE 30-6-89
TCD -		SCALE AS SHOWN
CKD -		
CD -		

ASST ARCHITECT	SENIOR ARCHITECT FOR CEPZ PUNE-1
ARCHITECT	